

VISUAL SIGNAL

EVCC.. series - MIOL (Medium intensity obstruction lighting) - Copper free aluminium

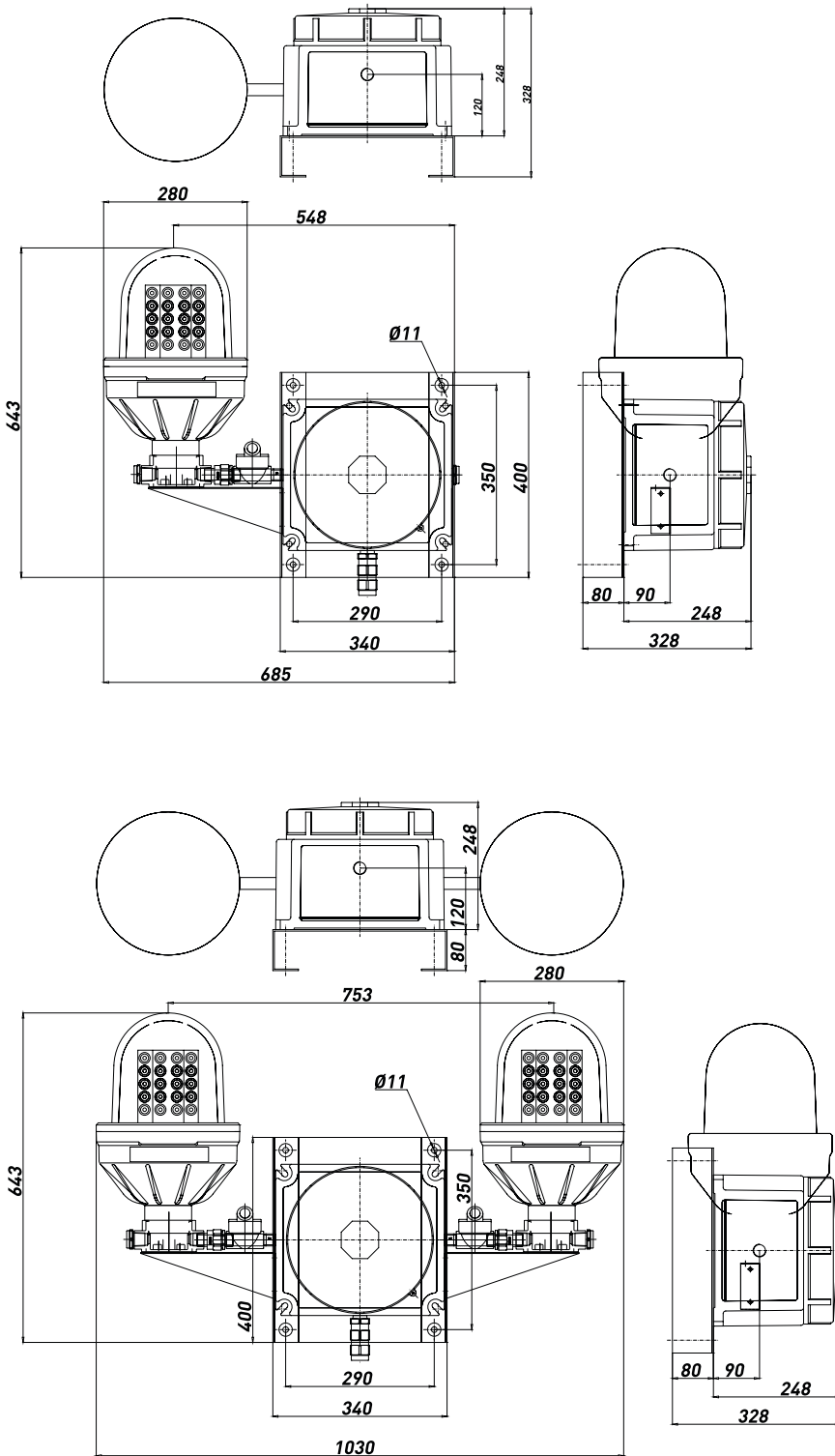


- The EVCC-5/...LED range of medium intensity obstruction lighting represents the top of technology, using LED technology to deliver low heat dissipation, low watt consumption and up to 100.000/hours maintenance free operation.
- Aircraft warning lighting fixtures EVCC-5/...LED are multi-light source using high-power LEDs with wide beam.
- The product is fully compliant with ICAO Annex 14, which requires that structures over 45m should incorporate medium intensity lighting fixtures
- Available LED colours: RED, WHITE or RED and WHITE.

TECHNICAL FEATURES

Material	Copper-free aluminium
IP rating	IP66
Ambient temperature range	-50°C to +55°C
Approvals	ATEX: INERIS 01ATEX0019X - IECEx: INE 15.0031X EAC: RU C-IT.BH02.B.00616/20 - ECAS: 21-04-10282 E21-04-021858
Marking	II 2 GD Ex d IIC T(**) Gb Ex tb IIIC T(**) Db IP66 ** T4/T135°C
Compliance	III 3 G Ex nA IIC T3 Gc ICAO/FAA (upon request)
Gaskets	O-ring made of Nitrile Rubber (NBR)
Surface treatment	Polyurethane painting cycle - Blue colour RAL5014 (other colour available upon request)
Entries	N° 1 entry 3/4" UNI-6125 complete with nickel chrome plated brass PAP type (Old version) N° 1 entry M20x1,5 complete with nickel chrome plated brass PAP type (New version Ex d)
Included accessories	AISI304 Stainless steel external hardware and screws
Lamps	LED Included
Colour	RED, WHITE or RED and WHITE
Rated operation voltage (UE)	230Vac 220/240Vac 24Vdc
Frequency (AC version)	50/60Hz

Dimensions EVCC.. (MIOL) - OLD VERSION



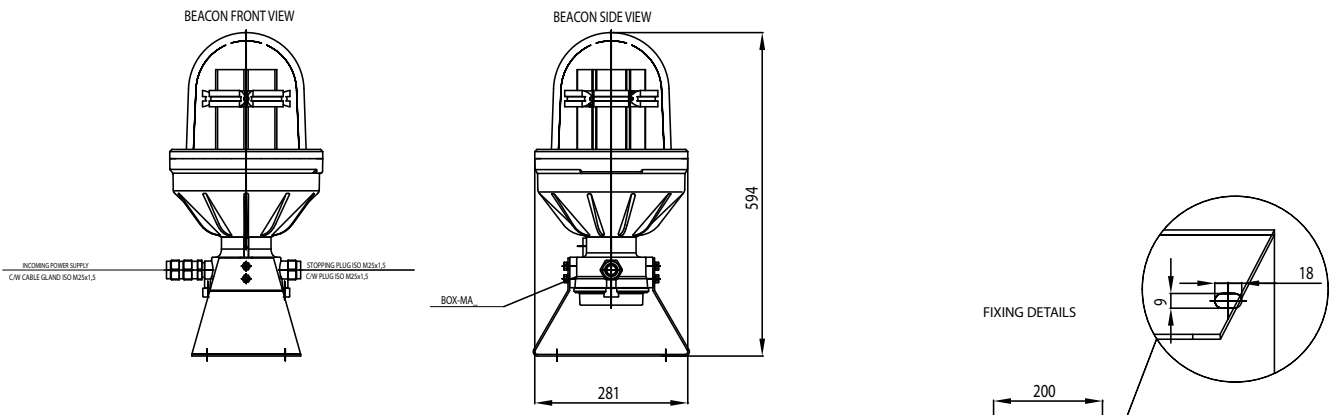
EVCC.. (MIOL) Medium intensity aircraft warning lights (OLD VERSION)

TYPE	CODE	LAMP [W]	MIOL TYPE	WEIGHT [Kg]	TEMP. CLASS	VOLTAGE
EVCC-5/LED	A04E215G01E1M	60 (RED) ⁽¹⁾	B	25	T4	110 V 50/60HZ
EVCC-5/LED	A040562801001	60 (RED) ⁽¹⁾	B	25	T4	220/240 V 50/60HZ
EVCC-5/LED	A04H225G01E1M	2X60 (RED) ⁽¹⁾	B	35	T4	110 V 50/60HZ
EVCC-5/LED	A04H225G0171M	2X60 (RED) ⁽¹⁾	B	35	T4	220/240 V 50/60HZ

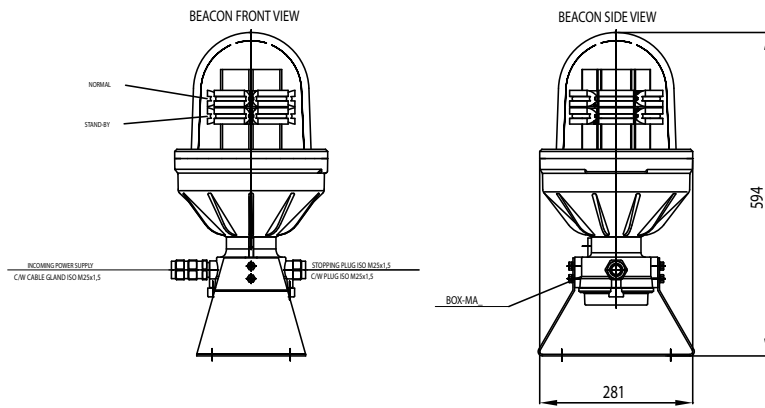
(1) Steady red light (flashing provided by control panel to be ordered separately); 2000cd night mode

Dimensions EVCC.. (MIOL) - Ex de version

SINGLE MIOL



TWIN MIOL



EVCC.. (MIOL) Medium intensity aircraft warning lights (NEW VERSION)

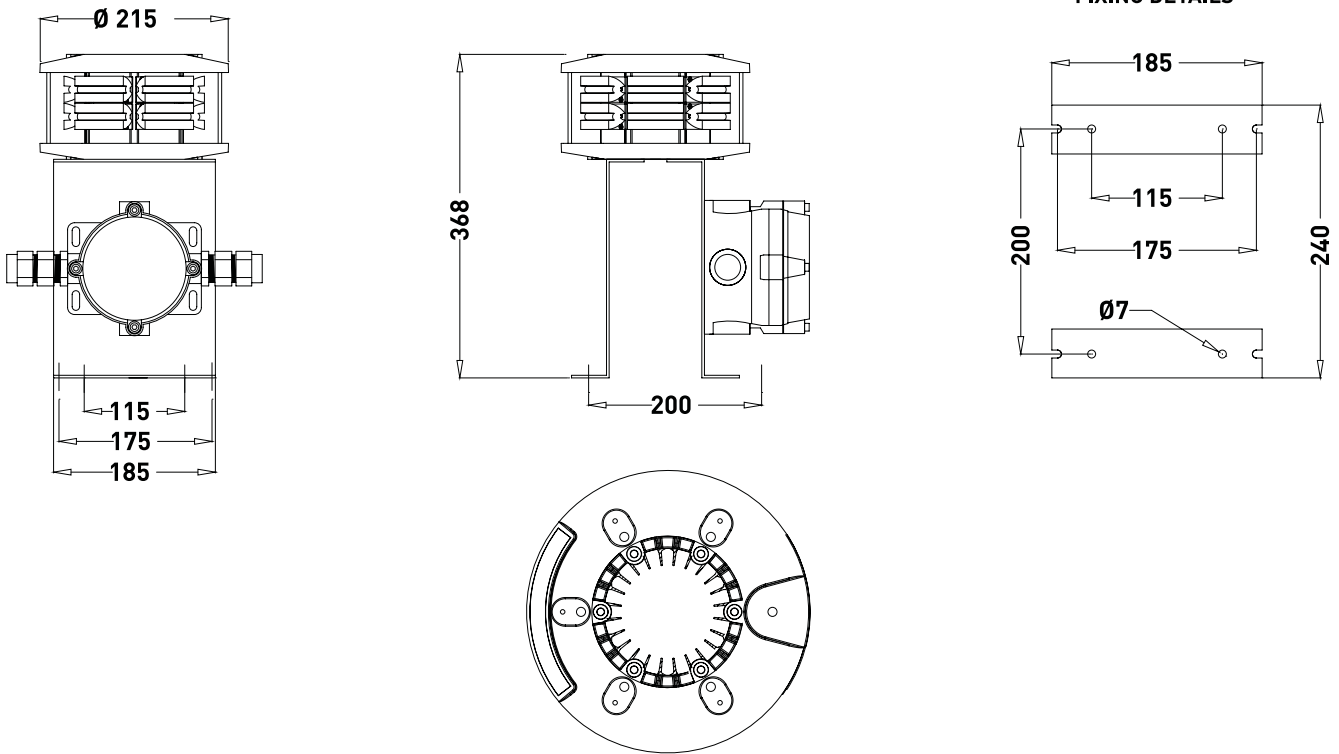
TYPE	CODE	LAMP [W]	MIOL TYPE	WEIGHT [Kg]	TEMP. CLASS	PROTECTION	VOLTAGE
EVDE-5/LED	A04E121AW1K1D	RED ^[1]	B - SINGLE	11 KG	T4	EX-DE	BY CONTROL PANEL ^[5]
EVDE-5/LED	A04F121AW6K1D	WHITE ^[2]	A - SINGLE	11 KG	T4	EX-DE	BY CONTROL PANEL ^[5]
EVDE-5/LED	A04H121AW1K1D	RED ^[1]	B - TWIN	11,5 KG	T4	EX-DE	BY CONTROL PANEL ^[5]
EVDE-5/LED	A04I121AW6K1D	WHITE ^[2]	A - TWIN	11,5 KG	T4	EX-DE	BY CONTROL PANEL ^[5]
EVDE-5/LED	A04L121AW8K1D	RED & WHITE ^[3]	AB - SINGLE ^[4]	11,5 KG	T4	EX-DE	BY CONTROL PANEL ^[5]

- [1] 2.000cd night mode, RED flashing
- [2] 20.000cd day mode, WHITE flashing/2.000cd night mode, WHITE flashing
- [3] 20.000cd day mode, WHITE flashing/2.000cd night mode, RED flashing
- [4] TWIN model available upon request
- [5] to be ordered separately

Additional features:

- the AWL system consists of lighting fixtures and respective panel board (custom made on the base of the system design)
- flashing is given by electronic card housed inside the control panel
- heat shield suggested for ambient temperature over +45°C

Dimensions EVCC.. (MIOL) – Ex nA version



EVCC.. (MIOL) Medium intensity aircraft warning lights (NEW VERSION)

TYPE	CODE	LAMP [W]	MIOL TYPE	WEIGHT [Kg]	TEMP. CLASS	PROTECTION	VOLTAGE
EVCC-5/LED		(RED) ⁽¹⁾	B	3	T3	Ex-nA	⁽⁵⁾
EVCC-5/LED		(RED) ⁽²⁾	B	3	T3	Ex-nA	⁽⁵⁾
EVCC-5/LED		(WHITE) ⁽³⁾	A	3,7	T3	Ex-nA	⁽⁵⁾
EVCC-5/LED		(RED & WHITE) ⁽⁴⁾	AB	4,9	T3	Ex-nA	⁽⁵⁾

(1) 9,3W (@20fpm)/12,9 (@20fpm); 2000cd

(2) 3,1W (@20fpm)/5,7 (@20fpm); 2000cd

(3) 51W Day mode/12,9W Nigh mode (@20fpm)/90W Day mode/23W Nigh mode (@40fpm)/20.000cd Day mode/2.000cd Nigh mode

(4) 57W Day mode/21W Nigh mode (@20fpm)/96W Day mode/24W Nigh mode (@40fpm)/20.000cd Day mode/2.000cd Nigh mode

(5) By control panel to be ordered separately